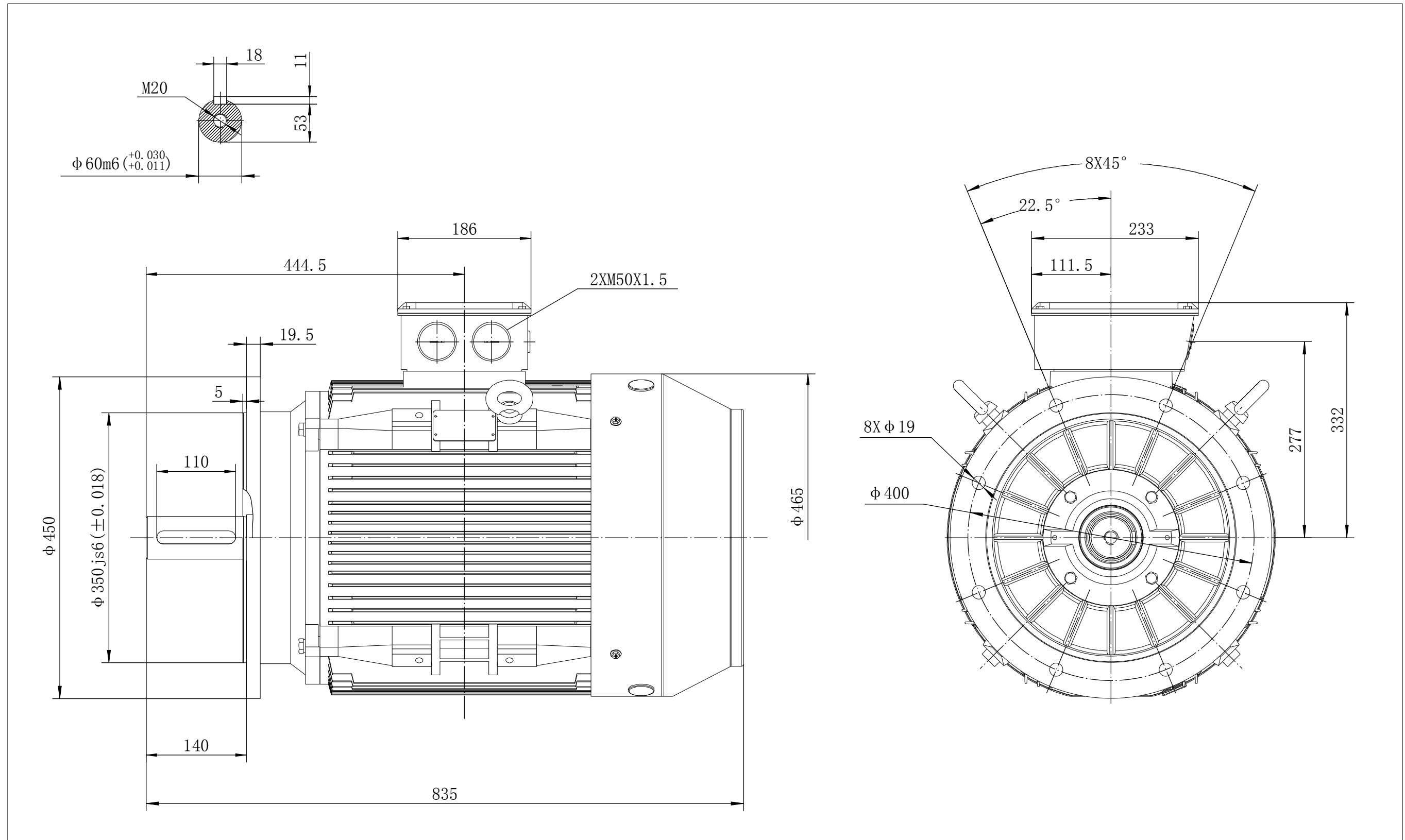


# OUTLINE DIMENSIONAL DRAWING



**TECHTOP**  
AUSTRALIA

TECHTOP AUSTRALIA PTY LTD	
FRAME	TCI 225M-4.6.8P B5
DATE	DRAWING NO.
2012/05/10	1HMY.010.T076B