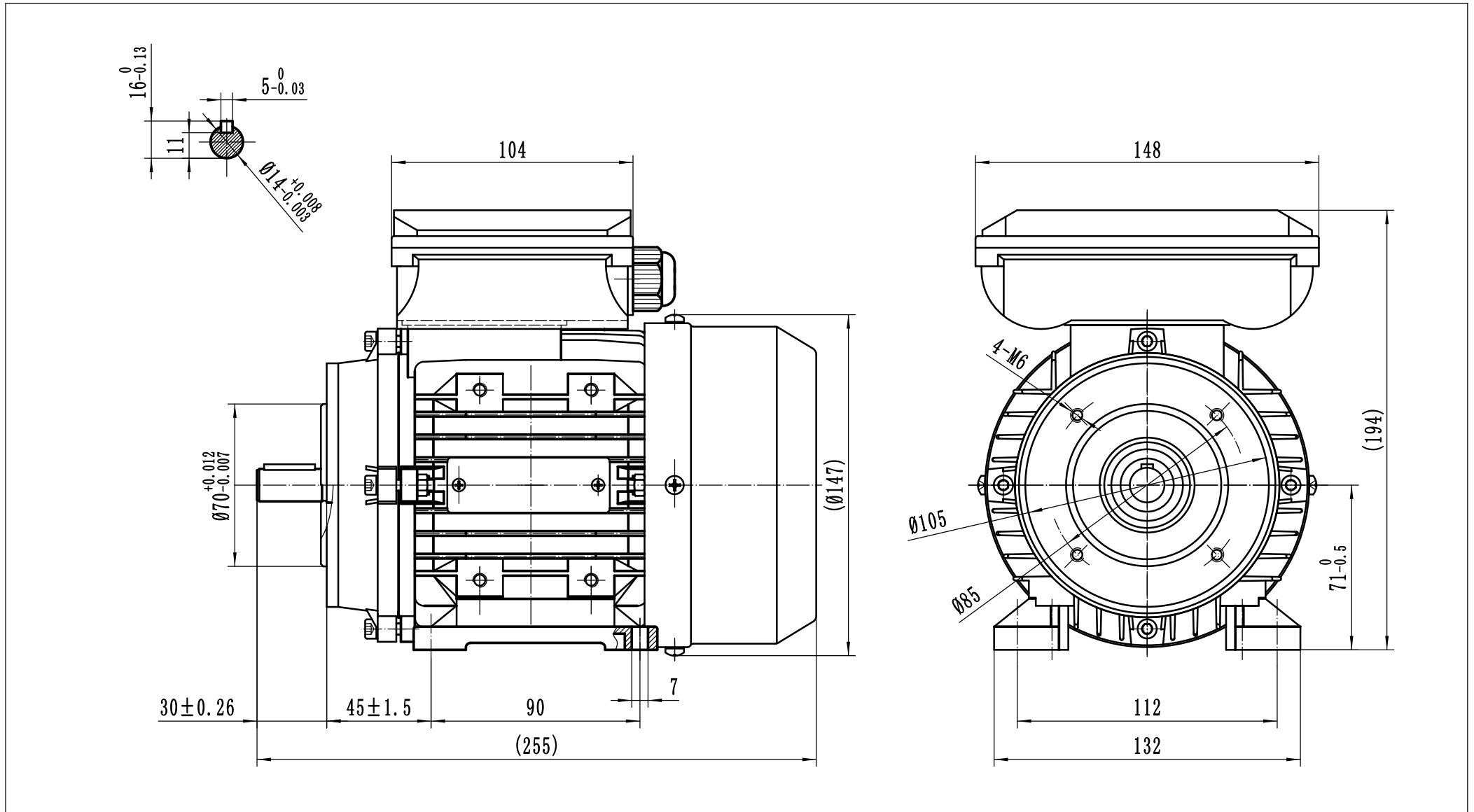


OUTLINE DIMENSIONAL DRAWING



| | |
|---------------------------|---------------|
| TECHTOP AUSTRALIA PTY LTD | |
| FRAME | ML71 B34 |
| DATE | DRAWING NO. |
| 2016/11/24 | 1TB. 390. 042 |