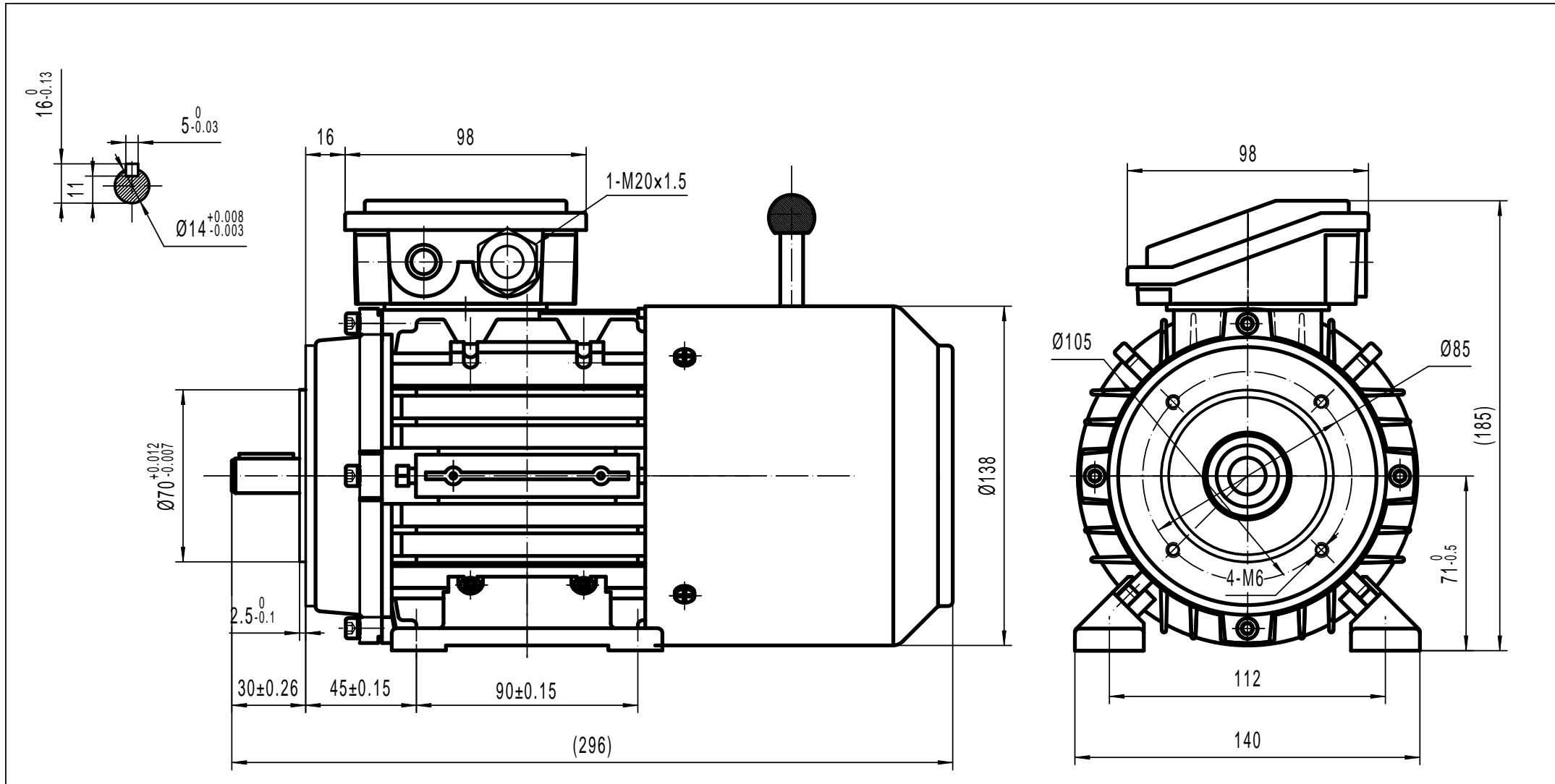


OUTLINE DIMENSIONAL DRAWING



| | |
|---------------------------|----------------------|
| TECHTOP AUSTRALIA PTY LTD | |
| FRAME | TAIB 71A B34 |
| DATE | DRAWING NO. |
| 2013/10/22 | 1ST101.052.001-010 A |