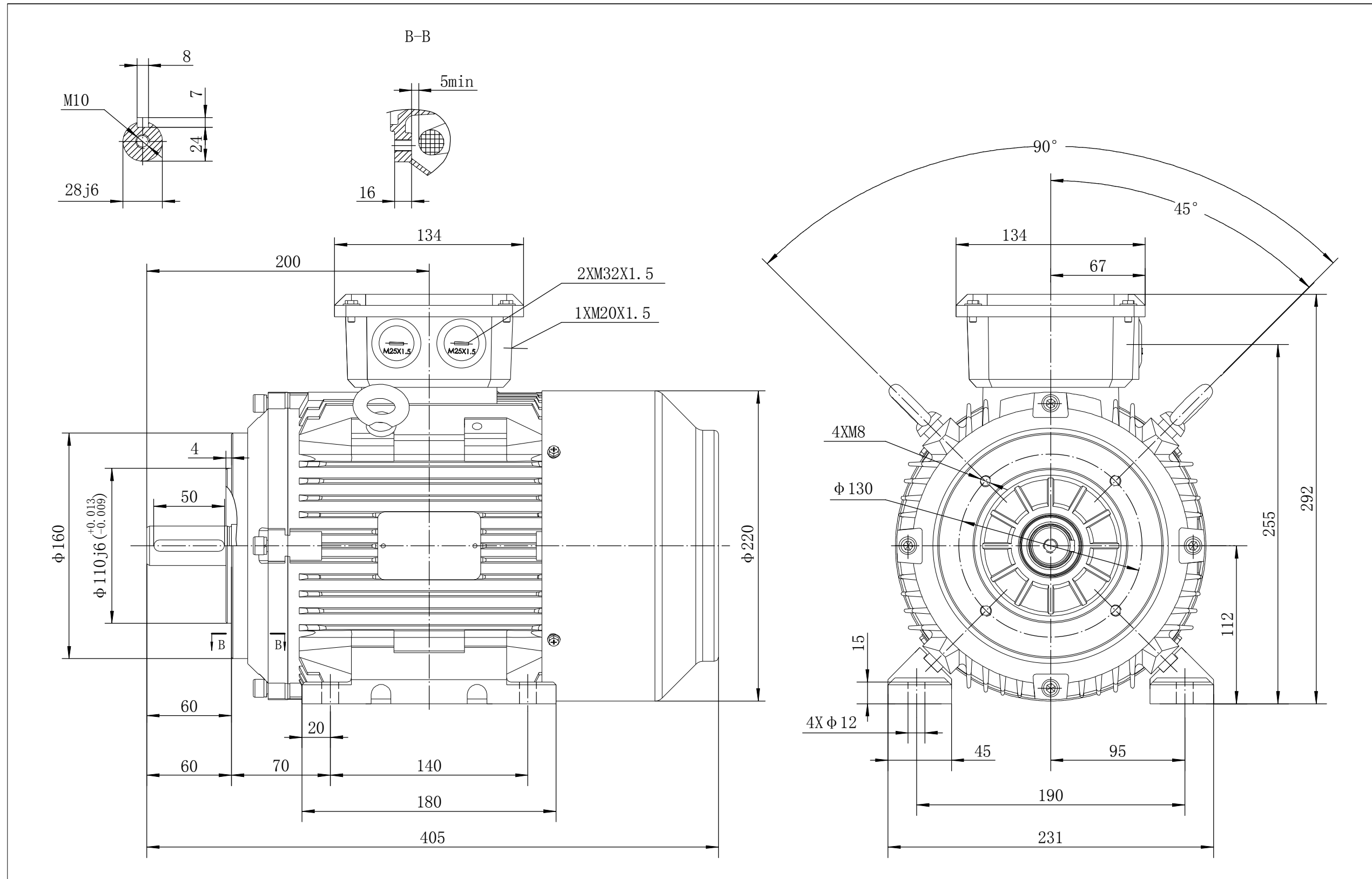


# OUTLINE DIMENSIONAL DRAWING



**TECHTOP**  
AUSTRALIA

TECHTOP AUSTRALIA PTY LTD	
FRAME	TCI 112M B34
DATE	DRAWING NO.
2012/05/10	1HMY. 010. T029B