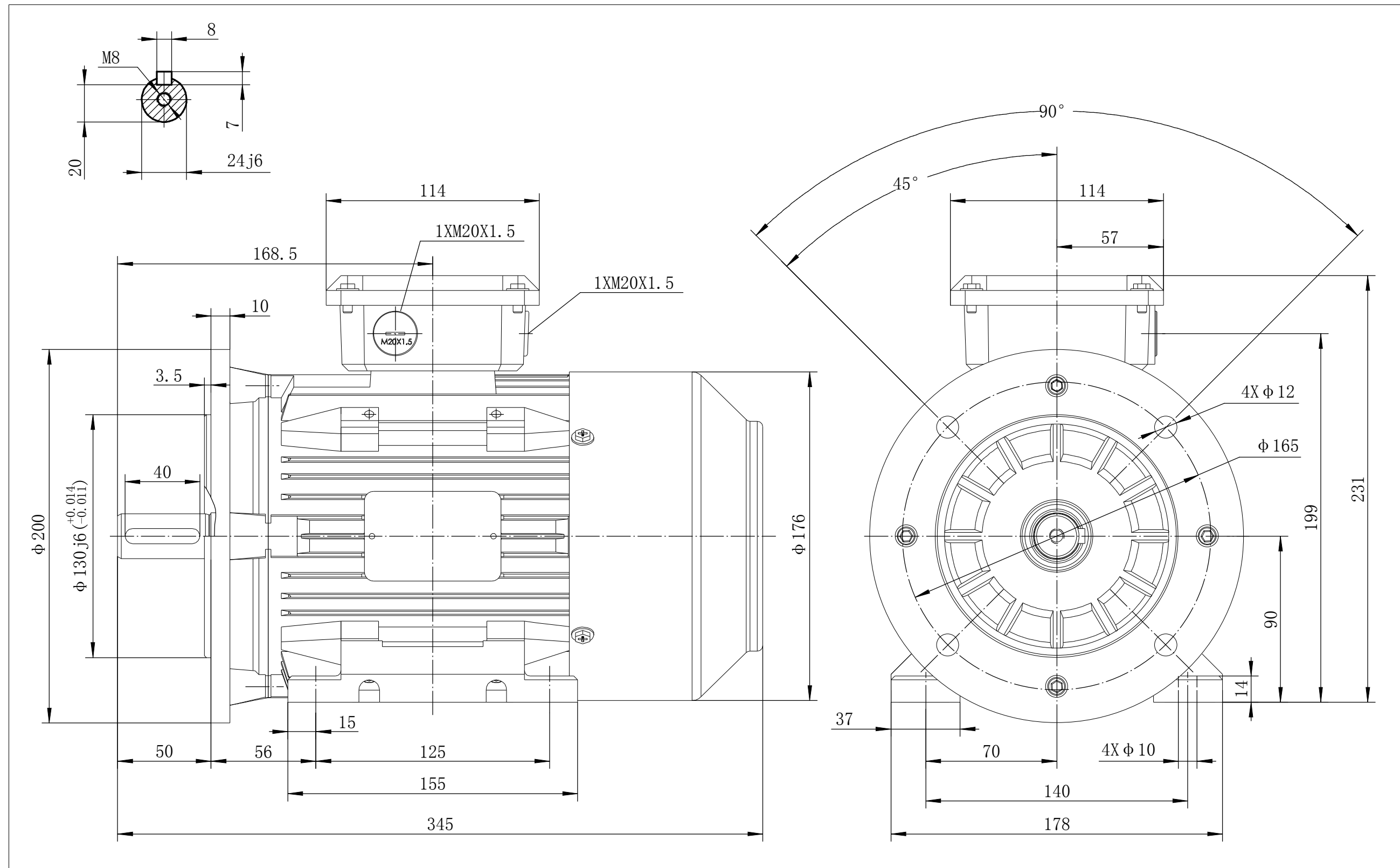


OUTLINE DIMENSIONAL DRAWING



TECHTOP AUSTRALIA PTY LTD	
FRAME	TCI 90L B35
DATE	DRAWING NO.
2012/05/10	1HMY. 010. T016B